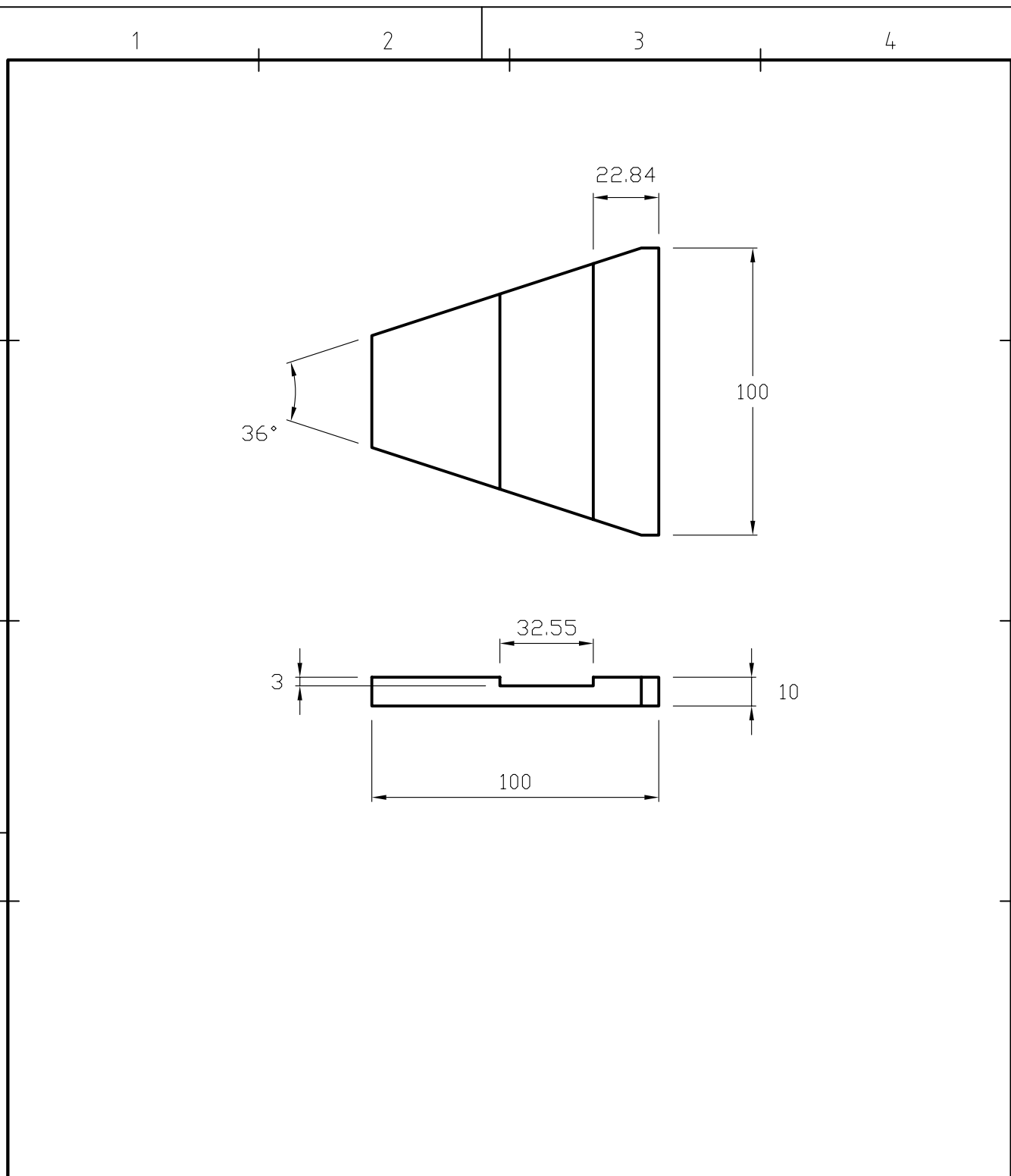


All rights are reserved. Reproduction in whole or in part is prohibited without the written consent of the copyright owner.



UN-D 28 <small>.R_a in μm</small>		TOLERANCES UNLESS INDICATED DIMENSION ANGLE ---- ----		UN-D 603 A		ITEM	ASSEMBLY NO	QUANT
GENERAL ROUGHNESS	UNIT mm	MATERIAL FXC 3C94				PATTERN NO		
SCALE 1:2	PROJ. EUROP. 	TREATMENT				ORDER NO	QUANT	
CLASS NO	FERRITE SECTOR				1			
100 x 100				Pending				
NAME O. Perez Cornejo		SUPERS.		1 SH SH 110 - 1		10		A4
CAD	CHECK	DATE 2011-10-17		© HISPANO FERRITAS S.A.				